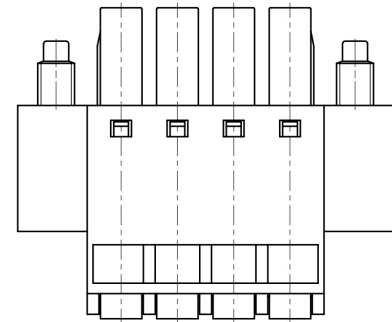
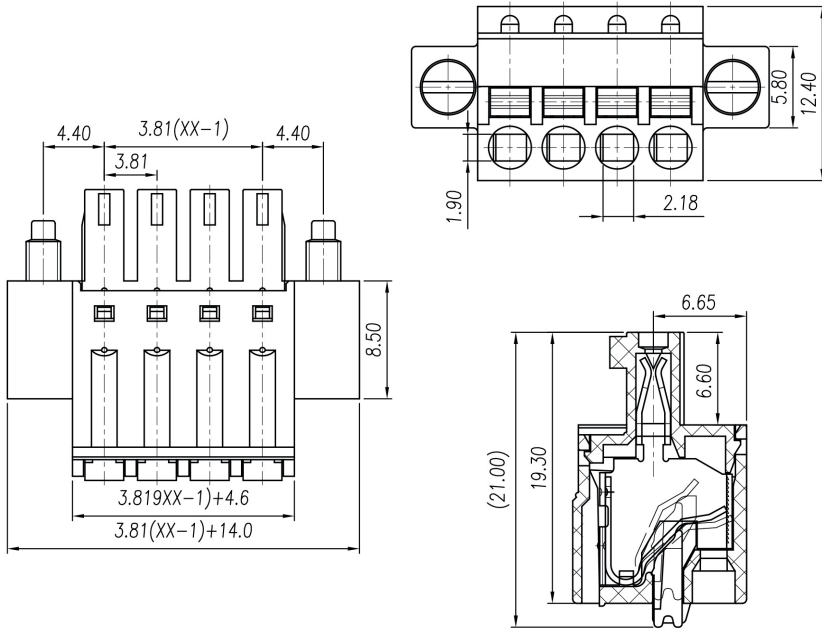



# PCB Terminal Blocks Connector, Top Wire Entry with Screw Lock ASIWJ15EDGKDM-3.81



Certification	
	
Material	
Lock Screw	M2.5 Steel, Tin Plated
Pin/Plate	Phosphor Bronze, Nickel Plated
Spring	Stainless Steel
Housing	PA66, UL 94V-0, Green
Electrical	
Standard	UL 1059/CSA C22.2 No. 158
Rated Voltage	300 V
Rated Current	8 A
Wire Range	28-16 AWG
Contact Resistance	20mΩ
Insulation Resistance	500MΩ/500 Vdc
Withstand Voltage	2000 Vac/1 Min
Mechanical	
Temperature Range	-40°C...+105°C
Strip Length	6-7 mm (0.24-0.28")
Size	
Pitch	3.81 mm (.150")
Poles	2P-16P. Additional sizes available on request.

Item	No. of Poles	Length (mm)
ASIWJ15EDGKDM-3.81-2P	2	17.81
ASIWJ15EDGKDM-3.81-3P	3	21.62
ASIWJ15EDGKDM-3.81-4P	4	25.43
ASIWJ15EDGKDM-3.81-5P	5	29.24
ASIWJ15EDGKDM-3.81-6P	6	33.05
ASIWJ15EDGKDM-3.81-7P	7	36.86
ASIWJ15EDGKDM-3.81-8P	8	40.67
ASIWJ15EDGKDM-3.81-9P	9	44.48
ASIWJ15EDGKDM-3.81-10P	10	48.29
ASIWJ15EDGKDM-3.81-11P	11	52.1
ASIWJ15EDGKDM-3.81-12P	12	55.91
ASIWJ15EDGKDM-3.81-13P	13	59.72
ASIWJ15EDGKDM-3.81-14P	14	63.53
ASIWJ15EDGKDM-3.81-15P	15	67.44
ASIWJ15EDGKDM-3.81-16P	16	71.15